

# LEVEL SWITCH

# MODEL L-40N L-40VCR

Side and Top Mount

Corrosion-resistant plastic with optional metal pivot pin (available in 316 stainless steel, HASTELLOY® C, Titanium, or Teflon® or PTFE).

**10 times less sensitive from deposit and build-up of contaminants than sliding float models.**

Each unit can be supplied with a special made to order 1 1/4" x 1/4" x 1/2" reducer bushing for through wall mounting.

Output wire can be twisted pair 22 gauge or two conductor PVC heavy wall instrument cable.

STANDARD: SPST reed switch for 120/240VAC 50 Watt power.



## KEY FEATURES

Working Fluid Specific Gravity	<b>Top Mount: 0.8   Side Mount: 0.7</b>
Working Temp	<b>0°-200°F (-18°-93°C)</b>
Working Pressure	<b>250 psi (1724 kPa)</b>
Process Connection	<b>1/4" NPT</b>
Electrical Switch	<b>SPNO or SPNC, 0.5A</b>
Enclosure	<b>NEMA 6P / IP 67</b>

## TYPICAL USES

Water Level Control In:

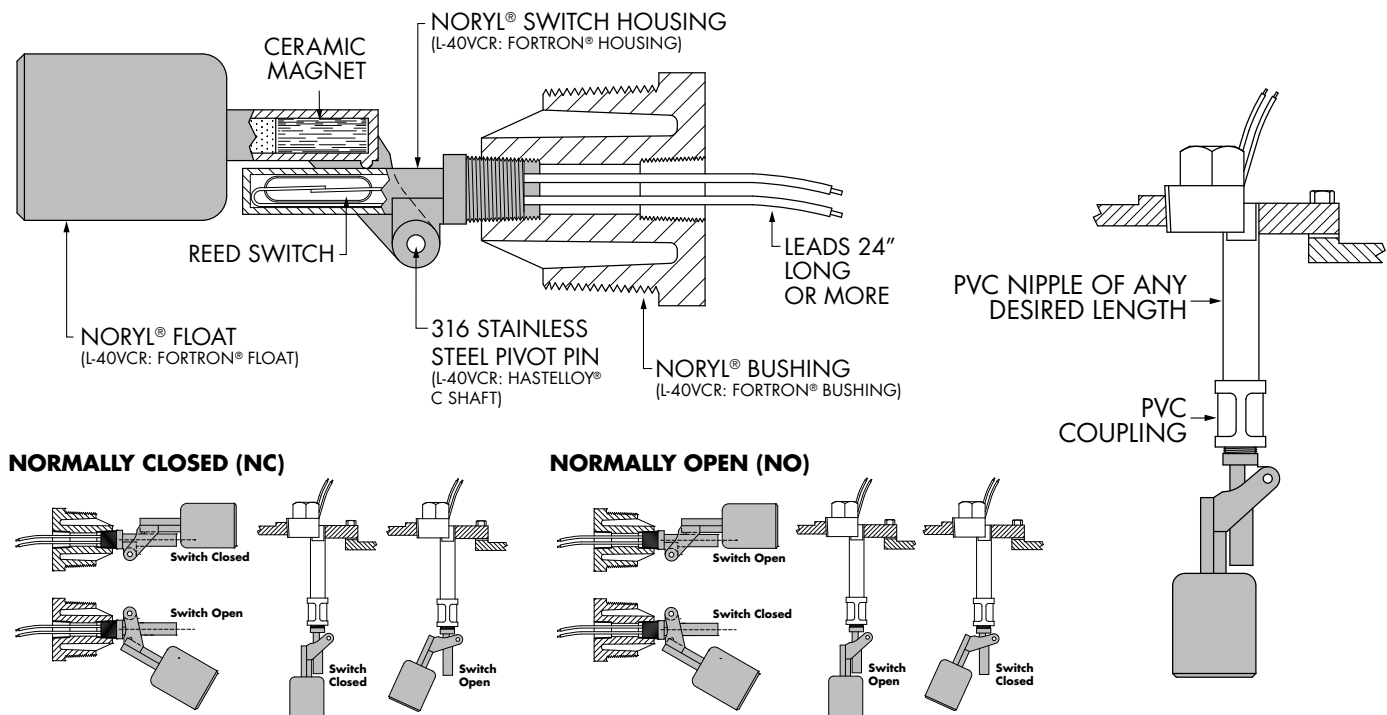
Cooling Towers	Plating Tanks	Pools
Washing Tanks	Fish Farms	Ponds
Fountains	Aquariums	Water Features

## TYPICAL WORKING FLUIDS

Mild Acids	Seawater
Mild Bases	Filtered Sewage
Pure Water	Contaminated Ground Water
Process Water	



## PRODUCT DIAGRAM



**WEIGHT: 5 oz.**

**142 g**



541 Kinetic Drive  
Oxnard, CA 93030  
www.harwil.com

v8.01

Phone: (805) 988-6800  
Fax: (805) 988-6804  
Email: harwil@harwil.com

SPECIFIC GRAVITY COMPENSATING  
 MODEL **L-40N/SG** ALSO AVAILABLE

# MODEL L-40N L-40VCR

Customer specified specific gravity sensitivity.  
 Unique design enhances specific gravity sensitivity.  
 Applications include fuel/water detection, oil/water detection, or detection of ground water contamination.

SAMPLE PART NUMBER			
	L-40N	/ NO	/ 2FT
	BASE MODEL		
	SWITCH OPERATION		
	SPECIFY WIRE LENGTH IN FEET		

**INDUCTIVE LOADS**

Switch contacts have been tested with small relays and 30A J-C relay inductive driving coils at 120/240VAC to 500,000 operations without failure. Steady state driving coil Volt/Amp rating should be 8VA or less.

NOTE: Model L-40 employs magnetic coupling between float arm and switch body. Magnetic particles can accumulate on and around magnetic housing which may affect proper operation. Please conduct appropriate fluid magnetic particle evaluation and operational tests prior to and during installation and use.

**TECHNICAL SPECIFICATIONS**

**ELECTRICAL (REED) SWITCH CHARACTERISTICS**

SPNO or SPNC  
 Contact Ratings:  
 AC Voltage (max. switching) 300VAC  
 DC Voltage (max. switching) 350VDC  
 Current (max. switching) 0.5A  
 Power (max) (VA, W) 50 watts  
 OPTIONAL: SPDT, 3 watt, 30VAC/VDC.

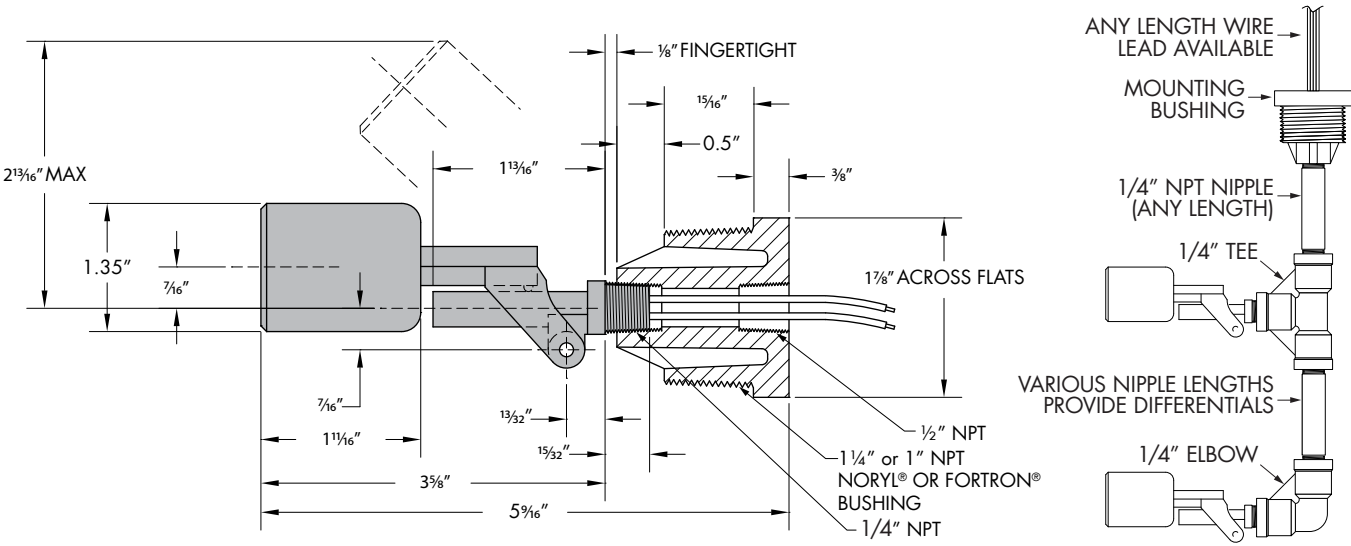
**HYSTERESIS (Δ LIQUID LEVEL TO ACTIVATE/DEACTIVATE SWITCH)**

≈ 3/8" (0.375") max. travel

**L-40N (NORYL®)**  
**WORKING FLUID SPECIFIC GRAVITY:**  
 Top Mount: 0.8 Side Mount: 0.7  
**WORKING PRESSURE:** 200 psi max. continuous  
**WORKING TEMPERATURE:** 180°F max. continuous.  
**WETTED MATERIALS:** Body, Float and Bushing: Noryl® (PPO) (10% glass fibers); Pivot Pin: 316 stainless steel

**L-40VCR (FORTRON®)**  
**WORKING FLUID SPECIFIC GRAVITY:**  
 Top Mount: 0.9 Side Mount: 0.7  
**WORKING PRESSURE:** 250 psi max. continuous  
**WORKING TEMPERATURE:** 200°F max. continuous.  
**WETTED MATERIALS:** Body, Float and Bushing: Fortron® (PPS) (40% glass fibers); Pivot Pin: HASTELLOY® C

**INSTALLATION DIMENSIONS**



- Installation drawing and a numbered parts list is supplied with each unit.
- Special one-day delivery is available.