

LEVEL SWITCH

MODEL L-5 L-5SS

SPECIFIC GRAVITY COMPENSATING.

Featuring continuously adjustable float buoyancy control to allow use in fluids with specific gravity down to 0.6.

Continuous buoyancy control allows switch activation at oil/water interface.

May be used in hazardous areas when used with intrinsically safe relays.

Consult factory for other dual-component fluid interface systems.

Horizontal Mounting Only

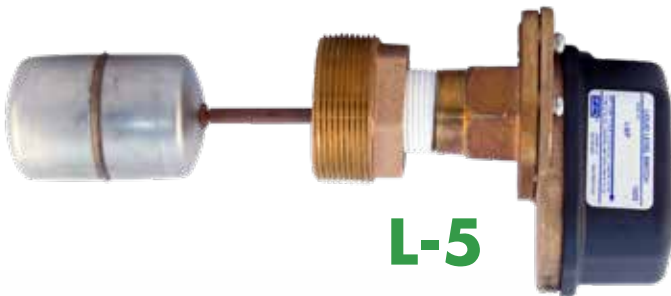
High/Low Liquid Level Alarm

Solenoid Valve On/Off Control



KEY FEATURES

Working Fluid Specific Gravity	Adjustable between 0.6 & 1.0+
Working Temp	180°F (82°C) Maximum
Working Pressure	300 psi (2,068 kPa)
Process Connection	1" NPT
Electrical Switch	SPDT 15A or Dry Circuit
Enclosure	NEMA 4 / IP 66



L-5

TYPICAL USES

For use in particle contaminated fluids, such as:

Seawater	Contaminated Ground Water
Sewage	Rusty Coolant Water
Waste Water	

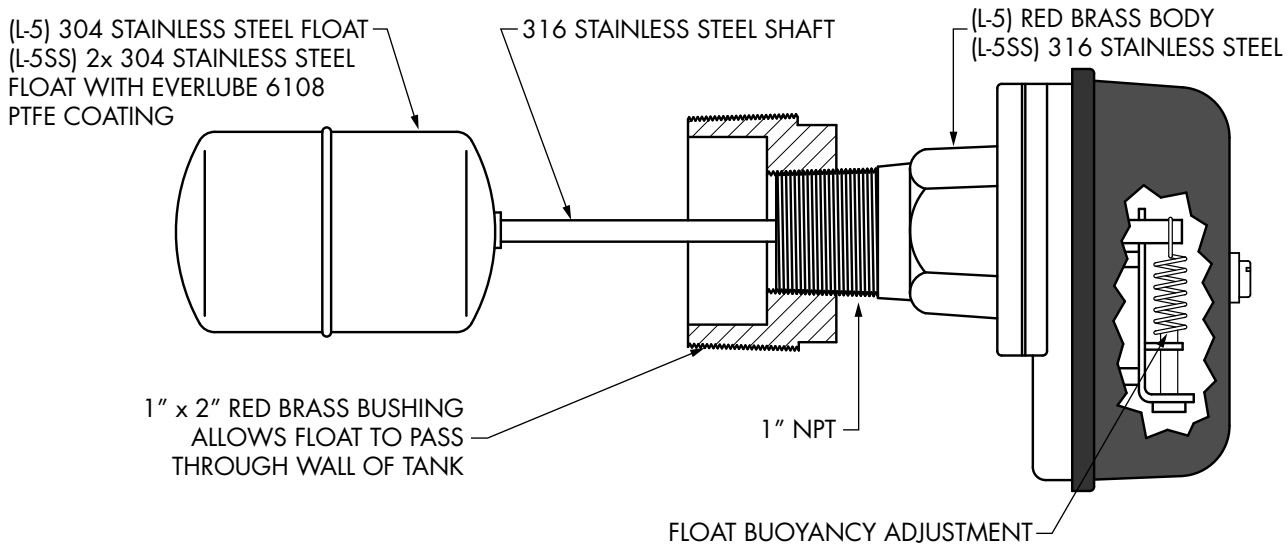
TYPICAL WORKING FLUIDS

Alcohols	Machine Cutting Oils
Glycols	Slurries
Soap Solutions	Water



L-5SS

PRODUCT DIAGRAM



**WEIGHT: 3 lb.
1.36 kg**

MODEL L-5 L-5SS

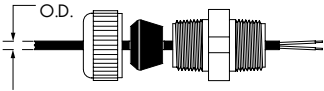
DOUBLE POLE, DOUBLE THROW (DPDT)

MODEL **LD-5** ALSO AVAILABLE

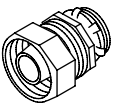
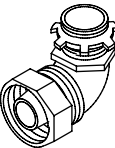
2 single pole, double throw (SPDT) switches provide DPDT action. 2 physically ganged but electronically independent switches provide a combination of 2 isolated AC or DC circuits; high or low voltage circuits; or power or gold cross bar computer/PLC dry circuits.

Electrical connection is made directly to switch terminals with standard spade "Quick Connects" supplied with each unit.

ELECTRICAL CONNECTION

GROMMET	CABLE O.D.	DIAGRAM
A	0.25"	
AA	0.30"	
B	0.37"	
C	0.50"	

CONDUIT FITTINGS

F(STR) - 0.5" straight		F90° - (0.5" 90°)	
------------------------	--	-------------------	--

TECHNICAL SPECIFICATIONS

HYSTERESIS (Δ LIQUID LEVEL TO ACTIVATE/DEACTIVATE SWITCH)

$\approx 1/4$ " travel

WORKING FLUID SPECIFIC GRAVITY RANGE

Adjustable between 0.6 and 1.0+

WORKING PRESSURE

300 psi max. continuous

WORKING TEMPERATURE

180°F max. continuous.

WETTED MATERIALS (RED BRASS)

Body and Bushing: Red brass
Float Shaft: Phosphor bronze
Hardware: 316 stainless steel

Float: 304 stainless steel
Seal: EPDM
Gasket: Cork/Nitrile blend

WETTED MATERIALS (STAINLESS STEEL)

Body, Bushing, Float Shaft,
Hardware: 316 stainless steel
Float: 304 stainless steel

Float Coating: Everlube 6108 PTFE
Seal: Viton® or FKM
Gasket: Teflon® or PTFE

ELECTRICAL SWITCH CHARACTERISTICS

SPDT

15 A, 1/2 hp @ 125 or 250VAC

1/2A @ 125VDC, 1/4A @ 250VDC

5A @ 125VAC (Tungsten lamp load)

10,000,000 operations median

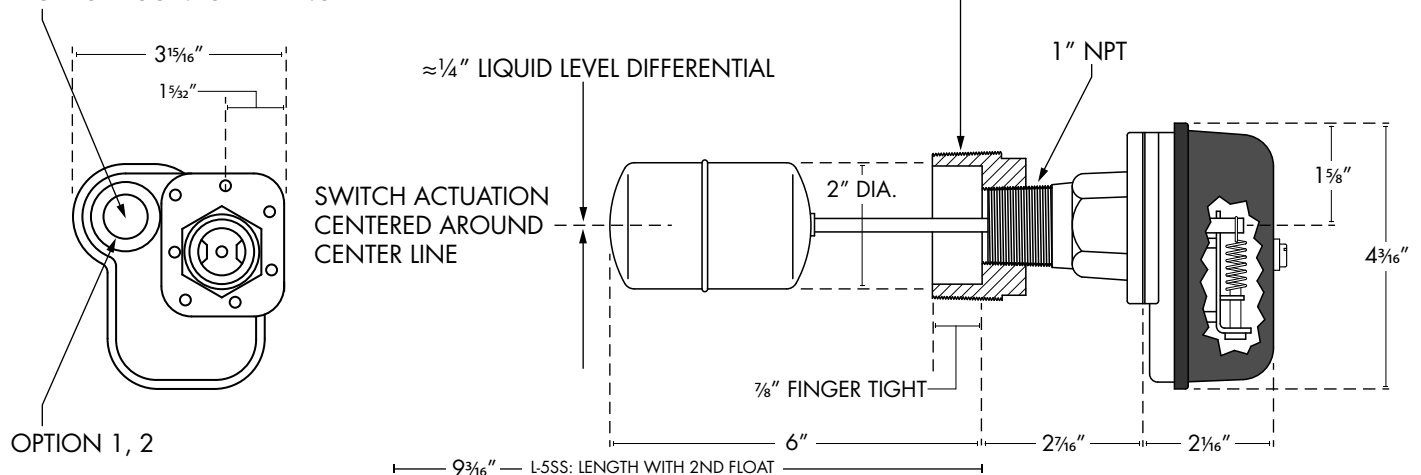
Gold Cross Bar Dry Circuit Computer/PLC Interface SPDT Switch Model also available.

SAMPLE PART NUMBERS

OPTION 1: L-5 / A	OPTION 2: L-5 / F
BASE MODEL	BASE MODEL
GROMMET SIZE	1/2" FLEXIBLE CONDUIT FITTING

INSTALLATION DIMENSIONS

HOLE TO SUIT STRAIN RELIEF CABLE FITTING SUPPLIED BY HARWIL OR ANY STANDARD 1/2" RIGID OR FLEXIBLE ELECTRICAL CONDUIT FITTING



- Installation drawing and a numbered parts list is supplied with each unit.
- Special one-day delivery is available.