

LEVEL SWITCH

MODEL L-40N L-40VCR



Side and Top Mount

Corrosion-resistant plastic with optional metal pivot pin (available in 316 stainless steel, HASTELLOY® C, Titanium, or Teflon® or PTFE).

10 times less sensitive from deposit and build-up of contaminants than sliding float models.

Each unit can be supplied with a special made to order 1 1/4" x 1/4" x 1/2" or 1" x 1/4" x 1/2" reducer bushing for through wall mounting.

Output wire can be twisted pair 22 gauge or two conductor PVC heavy wall instrument cable.

STANDARD: SPST reed switch, N.O. or N.C. Installation for 10W, 28Vdc, 120Vac, 240Vac

Alternative: 50W Res; 70Vac Ind, 120/240Vac; 0.5Adc switching
No UL Rated

SPDT 5W Max, Res; 120Vac/175Vdc max switching, 1.1A max dc



KEY FEATURES

Working Fluid Specific Gravity	Top Mount: 0.8 Side Mount: 0.7
Working Temp	0°-200°F (-18°-93°C)
Working Pressure	250 psi (1724 kPa)
Process Connection	1/4" NPT
Electrical Switch	SPST or SPDT
Enclosure	NEMA 6P / IP 67

TYPICAL USES

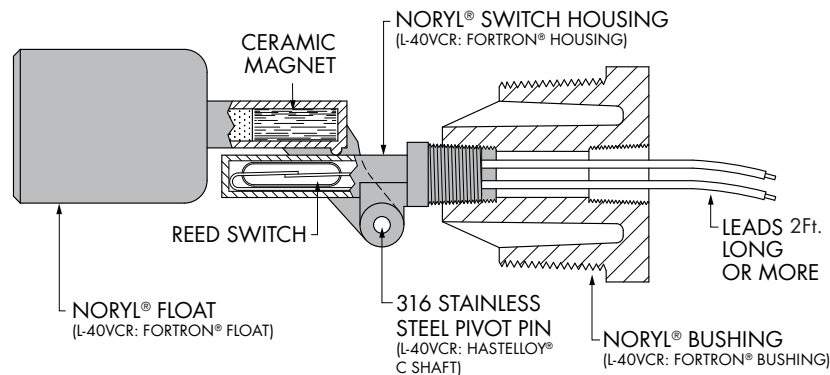
Water Level Control in:

Cooling Towers	Plating Tanks	Pools
Washing Tanks	Fish Farms	Ponds
Fountains	Aquariums	Water Features

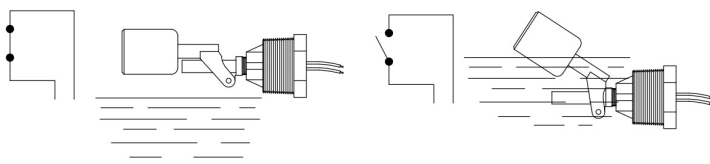
TYPICAL WORKING FLUIDS

Mild Acids	Seawater
Mild Bases	Filtered Sewage
Pure Water	Contaminated Ground Water
Process Water	

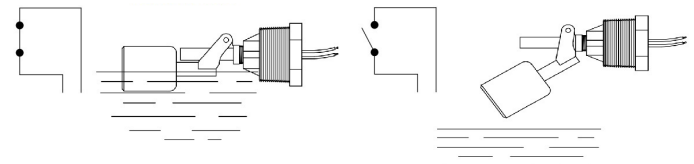
PRODUCT DIAGRAM



NORMALLY CLOSED (NC)
HORIZONTAL MODE FLOAT ON TOP



NORMALLY OPEN (NO)
HORIZONTAL MODE FLOAT DOWNWARDS



541 Kinetic Drive
Oxnard, CA 93030
www.harwil.com
v8.02

WEIGHT: 5 oz.
142 g

Phone: (805) 988-6800
Fax: (805) 988-6804
Email: harwil@harwil.com

MODEL L-40N L-40VCR

SAMPLE PART NUMBER		
	L-40N	/ NO / 2FT
	BASE MODEL	
	SWITCH OPERATION	
	SPECIFY WIRE LENGTH IN FEET	

TECHNICAL SPECIFICATIONS

ELECTRICAL (REED) SWITCH CHARACTERISTICS

SPST reed switch, N.O. or N.C. Installation

Contact Ratings:

AC Voltage	120/240V
DC Voltage	28V
Current (Max)	0.5A
Power (Max)	10W
	(No UL Rated) 50W*
Optional: SPDT 5W, Res;	120Vac/175Vdc max;
	0.25A max dc

HYSTERESIS (Δ LIQUID LEVEL TO ACTIVATE/DEACTIVATE SWITCH)

$\approx 3/8"$ (0.375") max. travel

L-40N (NORYL®)

WORKING FLUID SPECIFIC GRAVITY:

Top Mount: 0.8 Side Mount: 0.7

WORKING PRESSURE: 200 psi max. continuous

WORKING TEMPERATURE: 180°F max. continuous.

WETTED MATERIALS: Body, Float and Bushing: Noryl® (PPO) (10% glass fibers); Pivot Pin: 316 stainless steel

L-40VCR (FORTRON®)

WORKING FLUID SPECIFIC GRAVITY:

Top Mount: 0.9 Side Mount: 0.7

WORKING PRESSURE: 250 psi max. continuous

WORKING TEMPERATURE: 200°F max. continuous.

WETTED MATERIALS: Body, Float and Bushing: Fortron® (PPS) (40% glass fibers); Pivot Pin: HASTELLOY® C

INDUCTIVE LOADS

Switch contacts have been tested with small relays and 30A J-C relay inductive driving coils at 120/240VAC to 500,000 operations without failure. Steady state driving coil Volt/Amp rating should be 8VA or less.

NOTE: Model L-40 employs magnetic coupling between float arm and switch body. Magnetic particles can accumulate on and around magnetic housing which may affect proper operation. Please conduct appropriate fluid magnetic particle evaluation and operational tests prior to and during installation and use.

INSTALLATION DIMENSIONS

